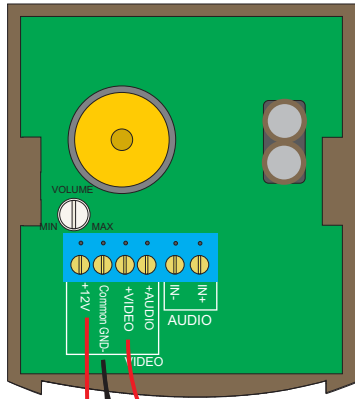




LX7IWLCD INSTALLATION INSTRUCTIONS

Inside of Door Speaker

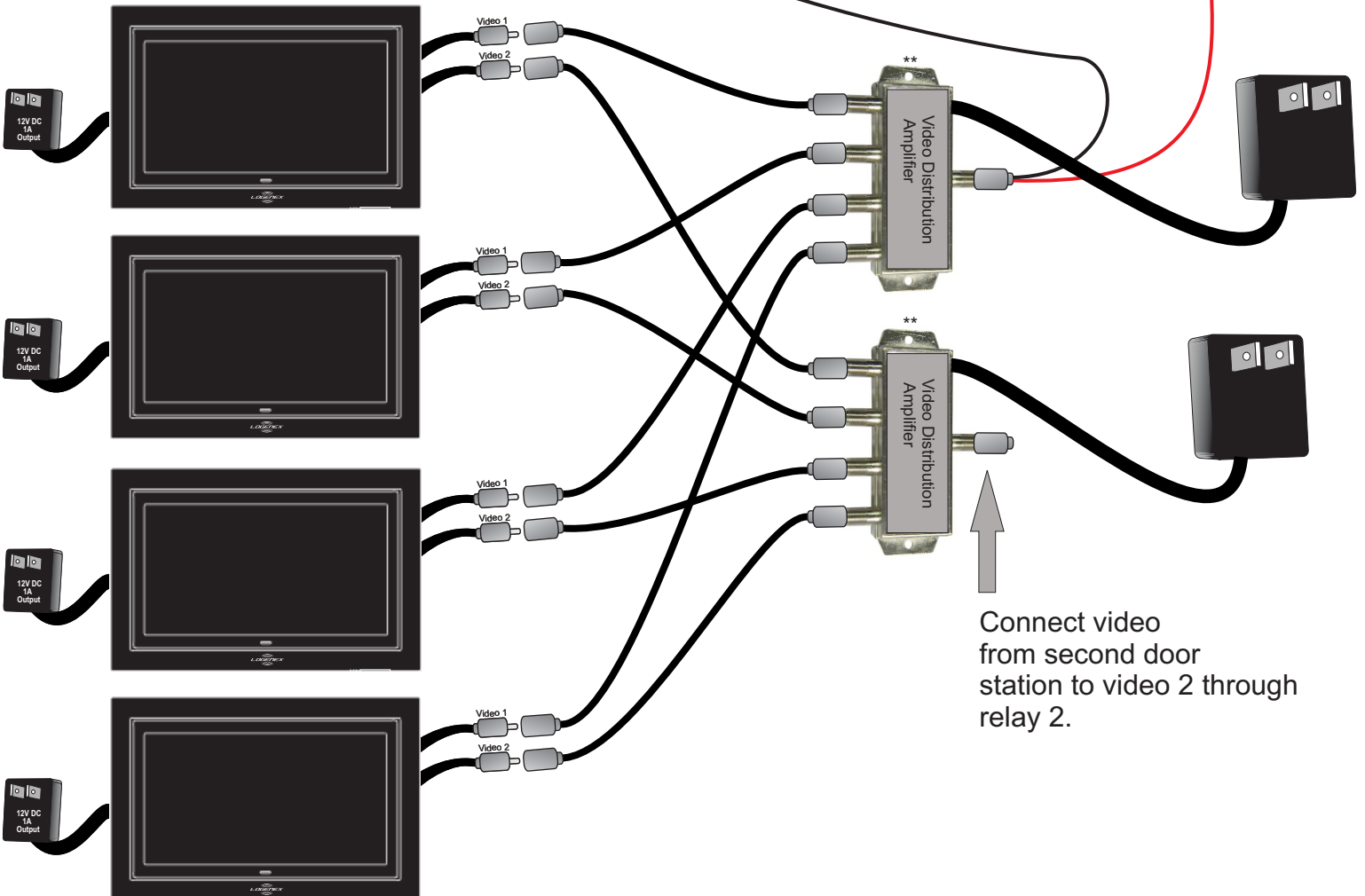
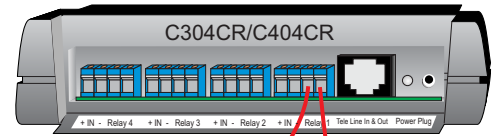
Video and Audio terminals



NOTE: Please see * * 3 programming for video duration on monitor when door station is pressed.

C304CR: 1-98 Seconds

C404CR/C403HIFI: 1-60 Seconds or 1-20 Minutes



** Video distribution amplifiers needed beyond two LCD's